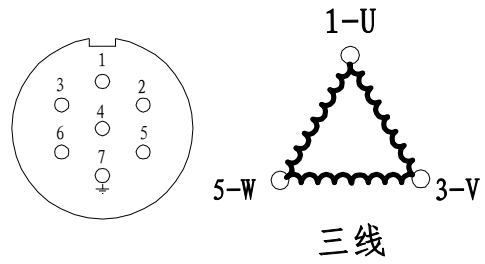
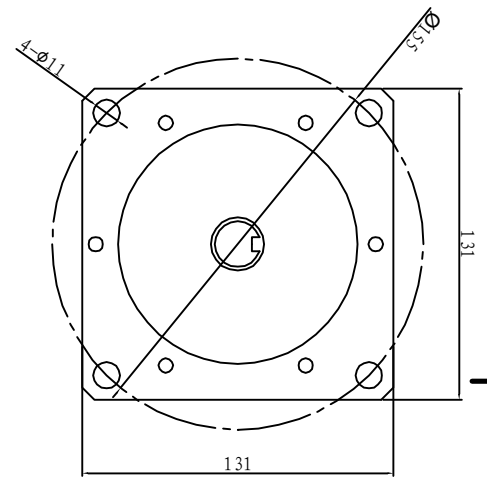
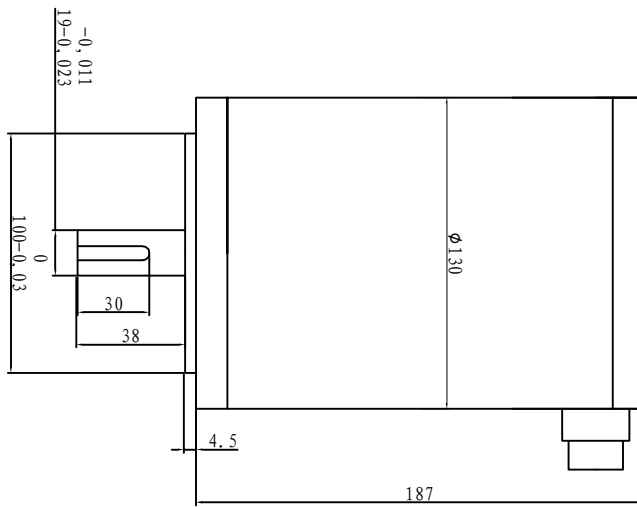


HYBRID STEPPING MOTOR MODLE. 130BYG350A

Wiring Diagram:



Dimensions:
(unit=mm)



航插型

Electrial specifications

STEP ANGLE (步距角)	0.6/1.2° STEP	COMMENT
RATED VOLTAGE (相电压)	80-350 V	
CURRENT (相电流)	5.0 A/PHASE	
RESISTANCE (相电阻)	2.5 Ω/PHASE	
INDUCTANCE (相电感)	20 mH/PHASE	
HOLDING TORQUE (保持转距)	27 N.m	
INSULATTON CLASS	B	
130BYG350A		
设计	日期	审核
		日期